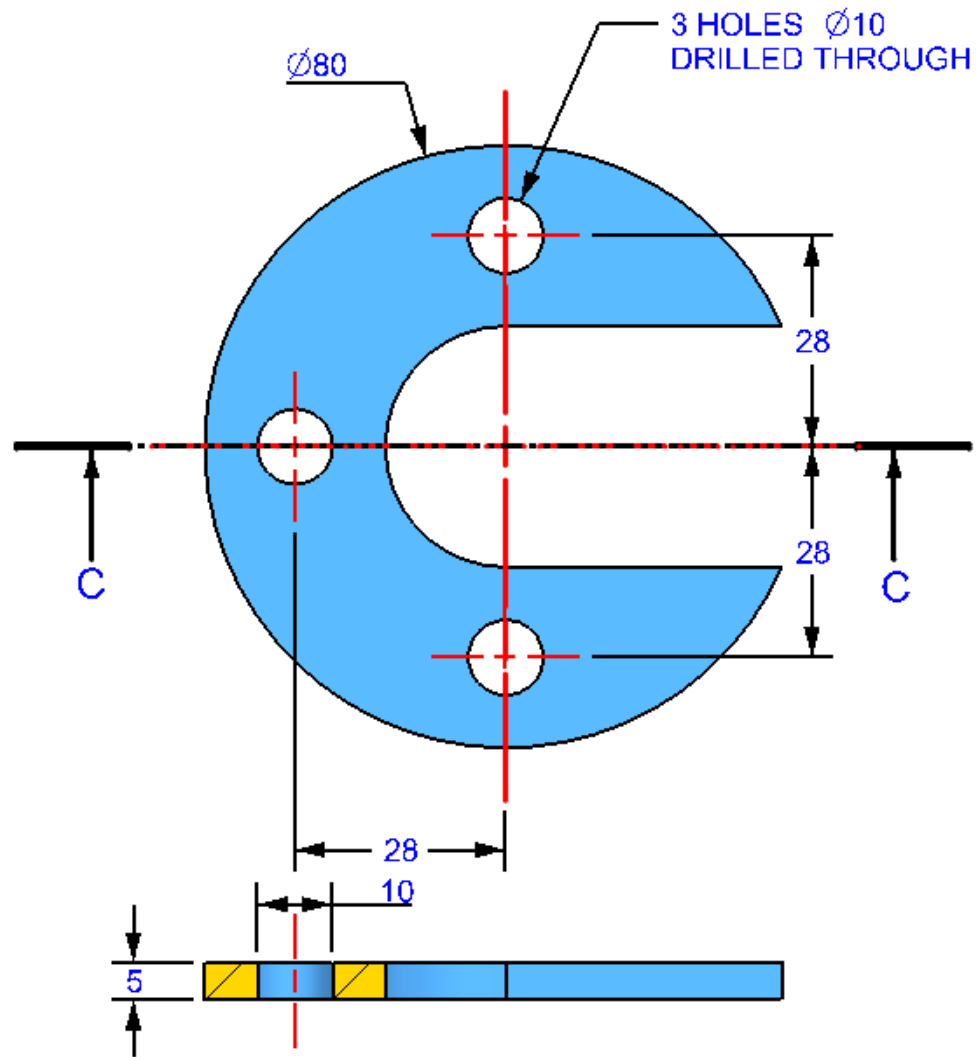
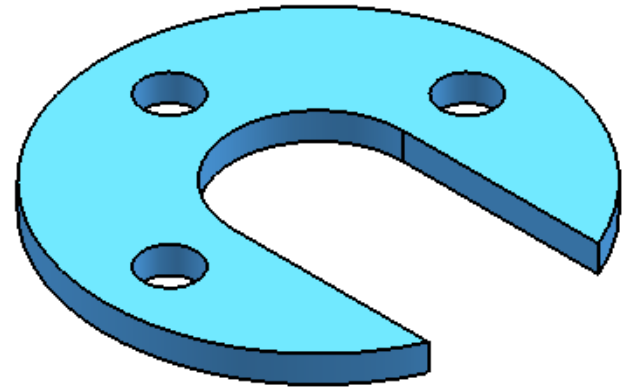
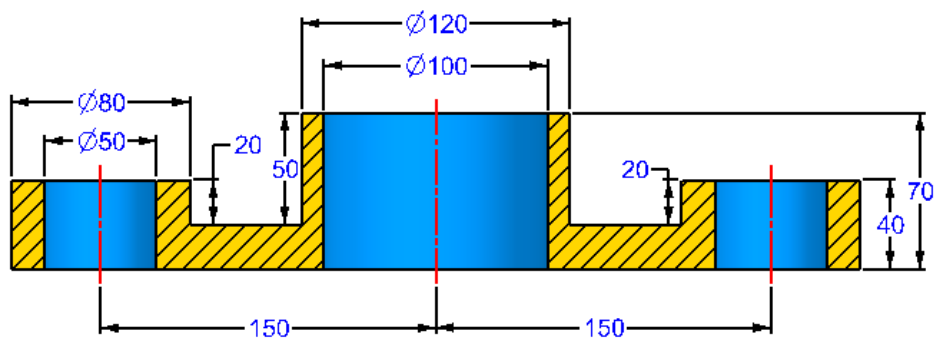
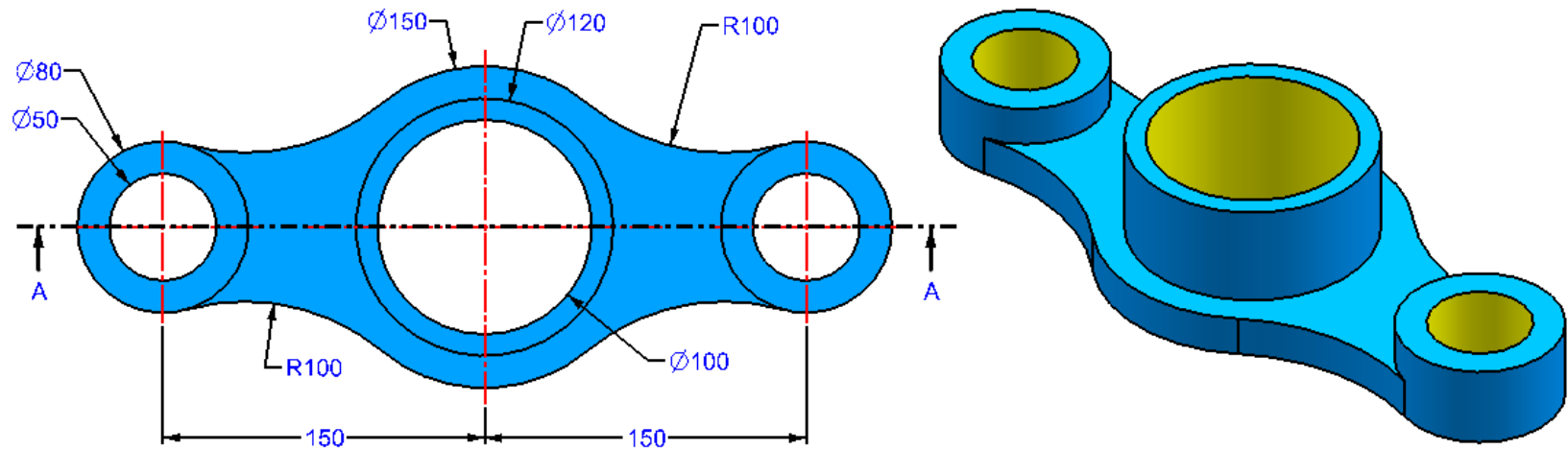


SECTION A-A
(SCALE 1:1)

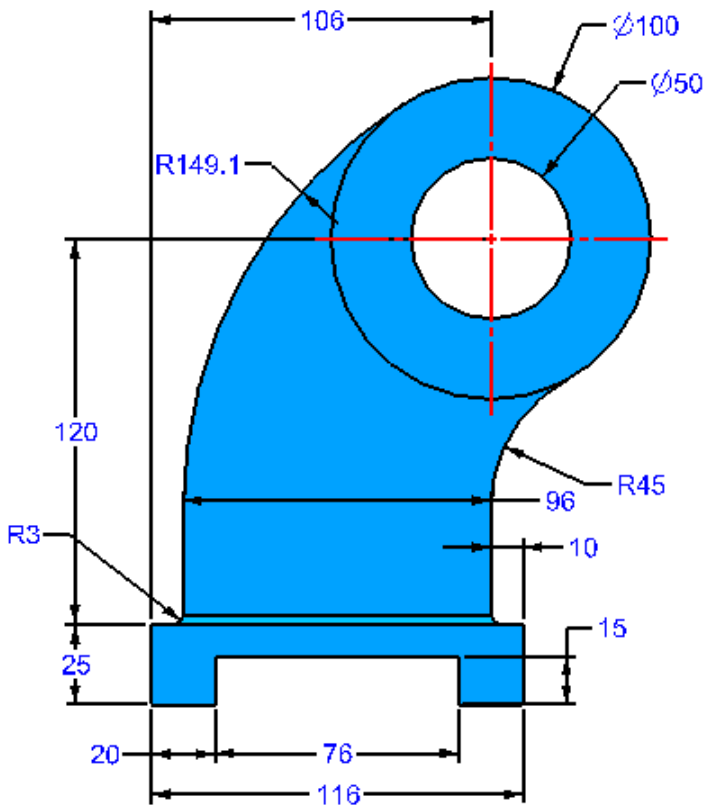
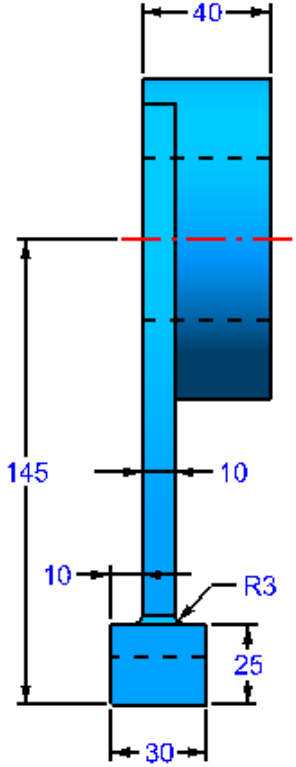
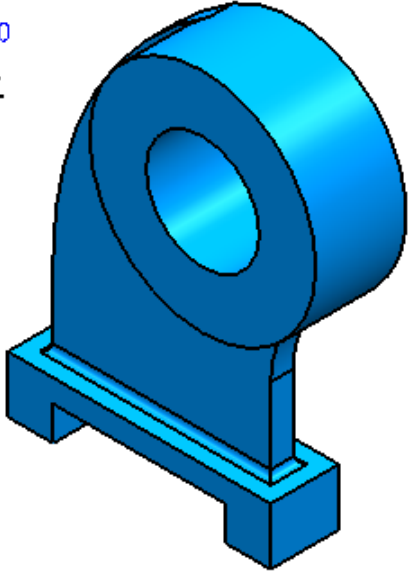
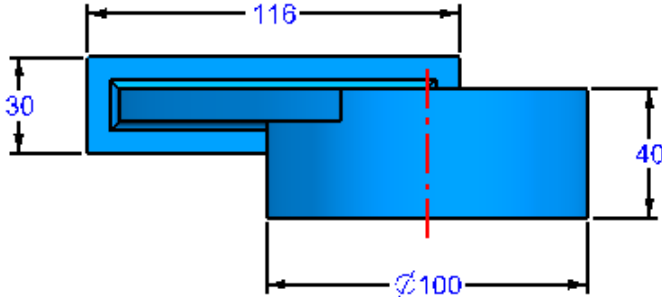


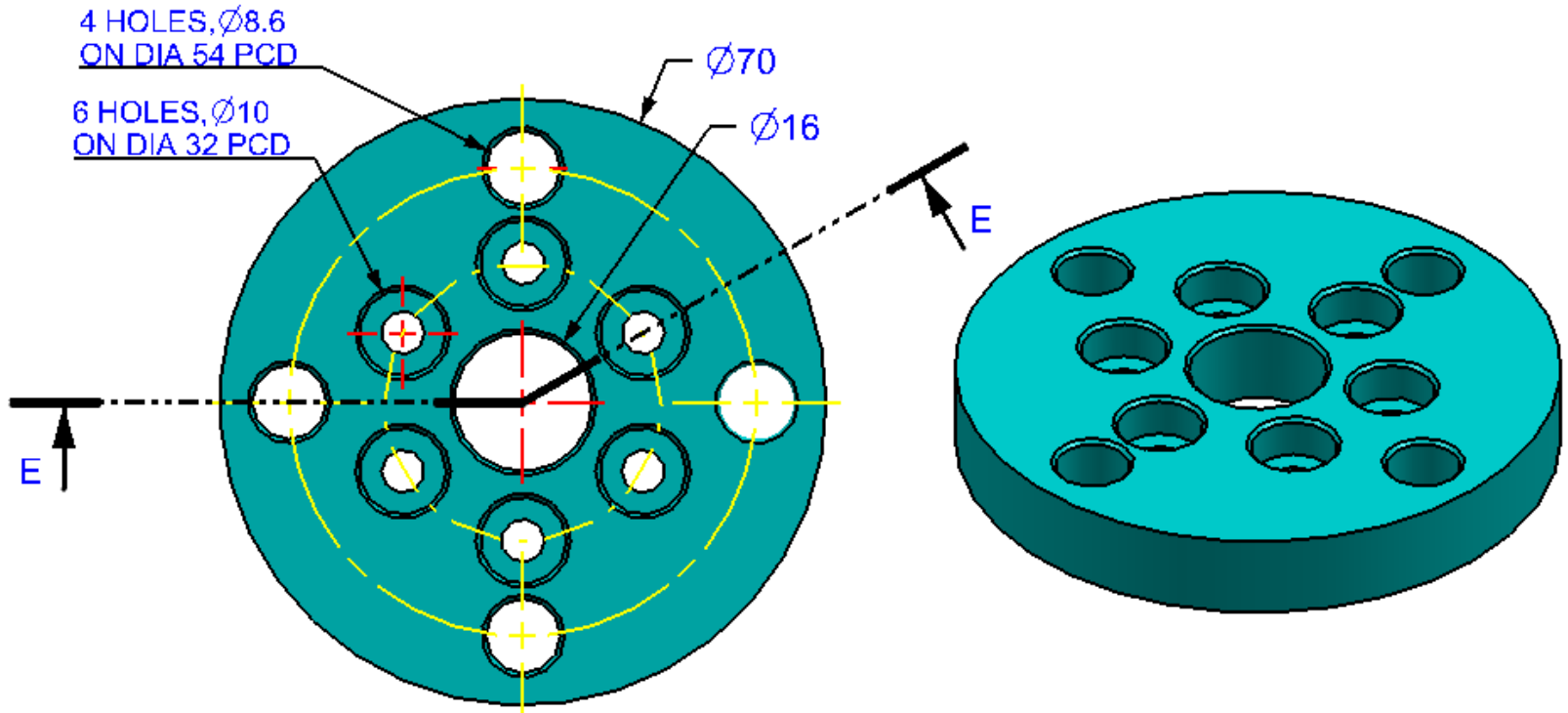
SECTION C-C
(SCALE 1:1)



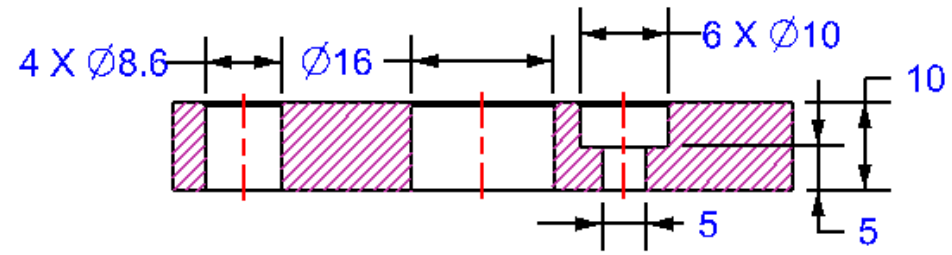


SECTION A-A
(SCALE 1:1)

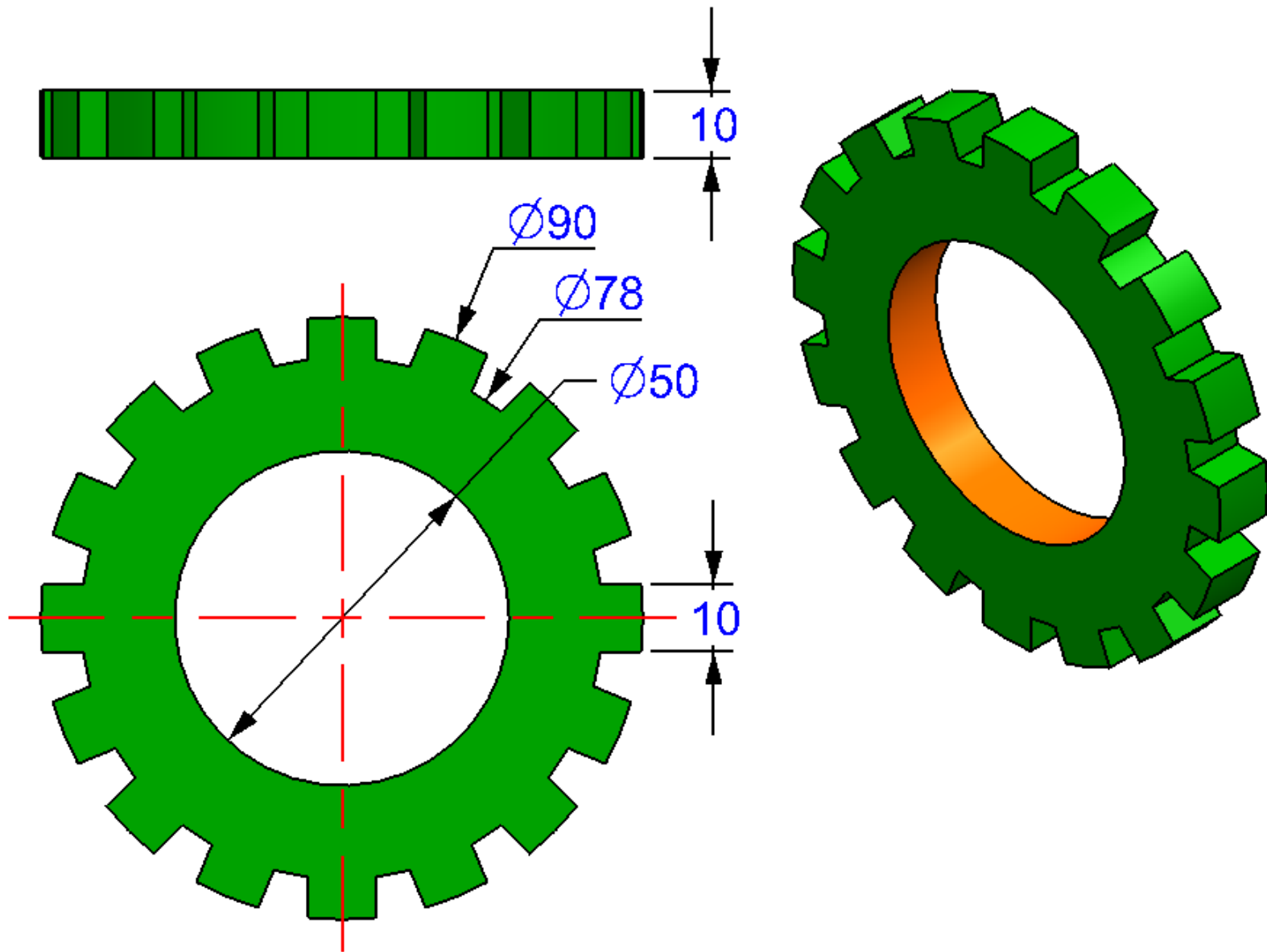


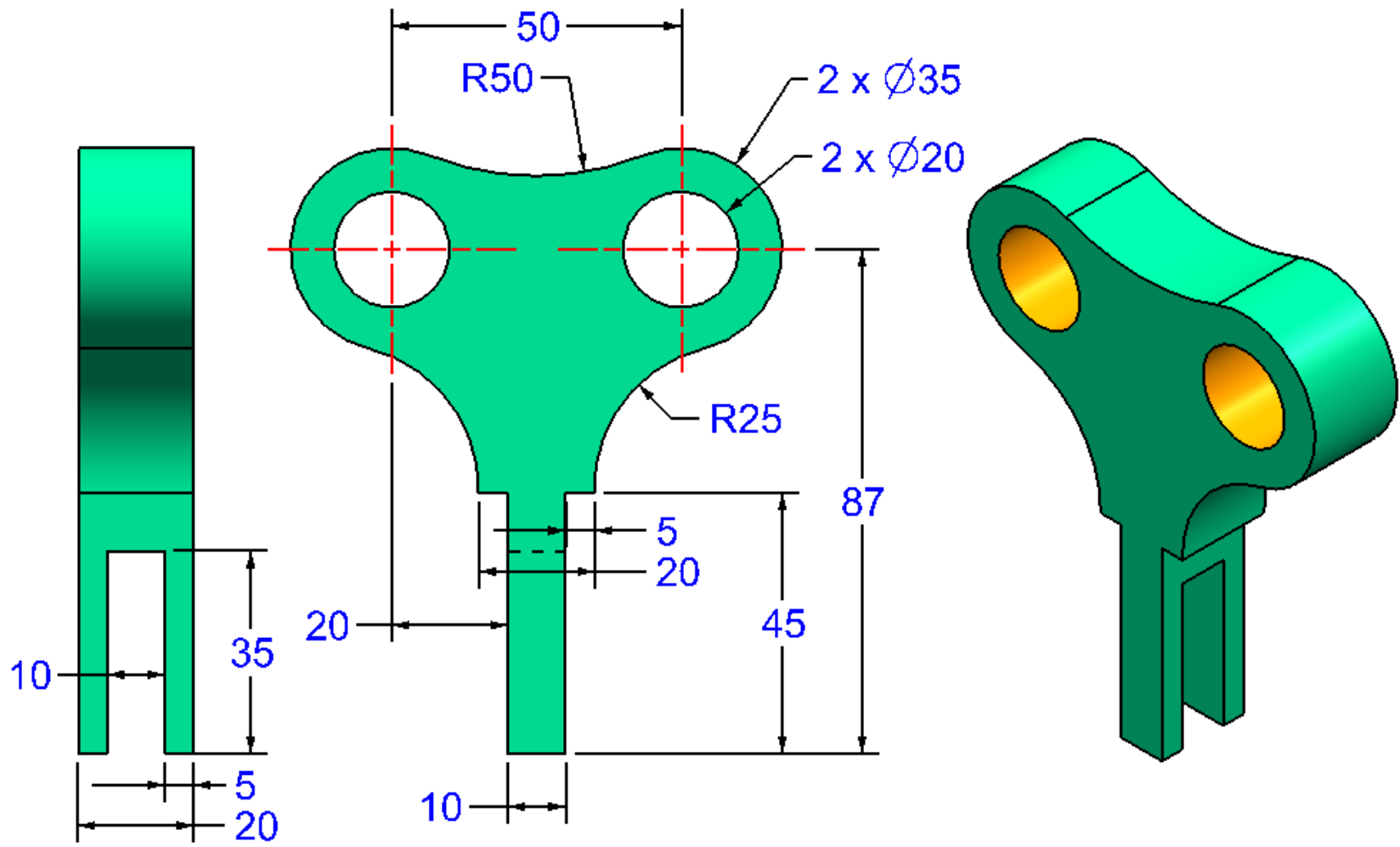


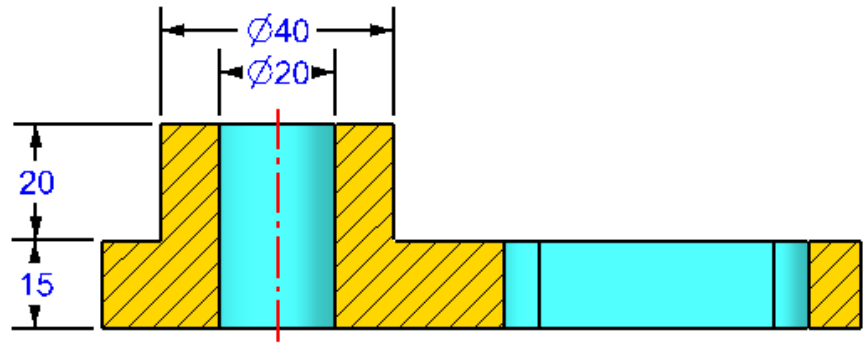
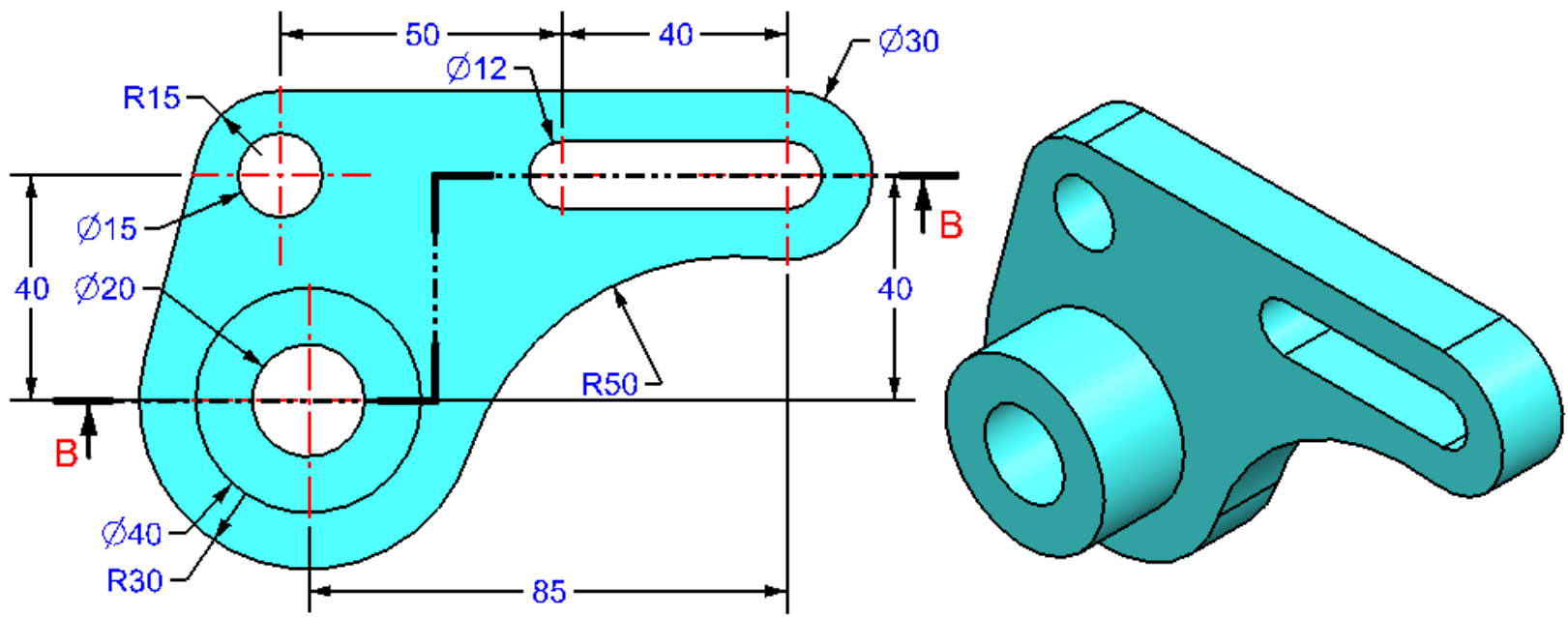
CHAMFER 0.5 X 45°



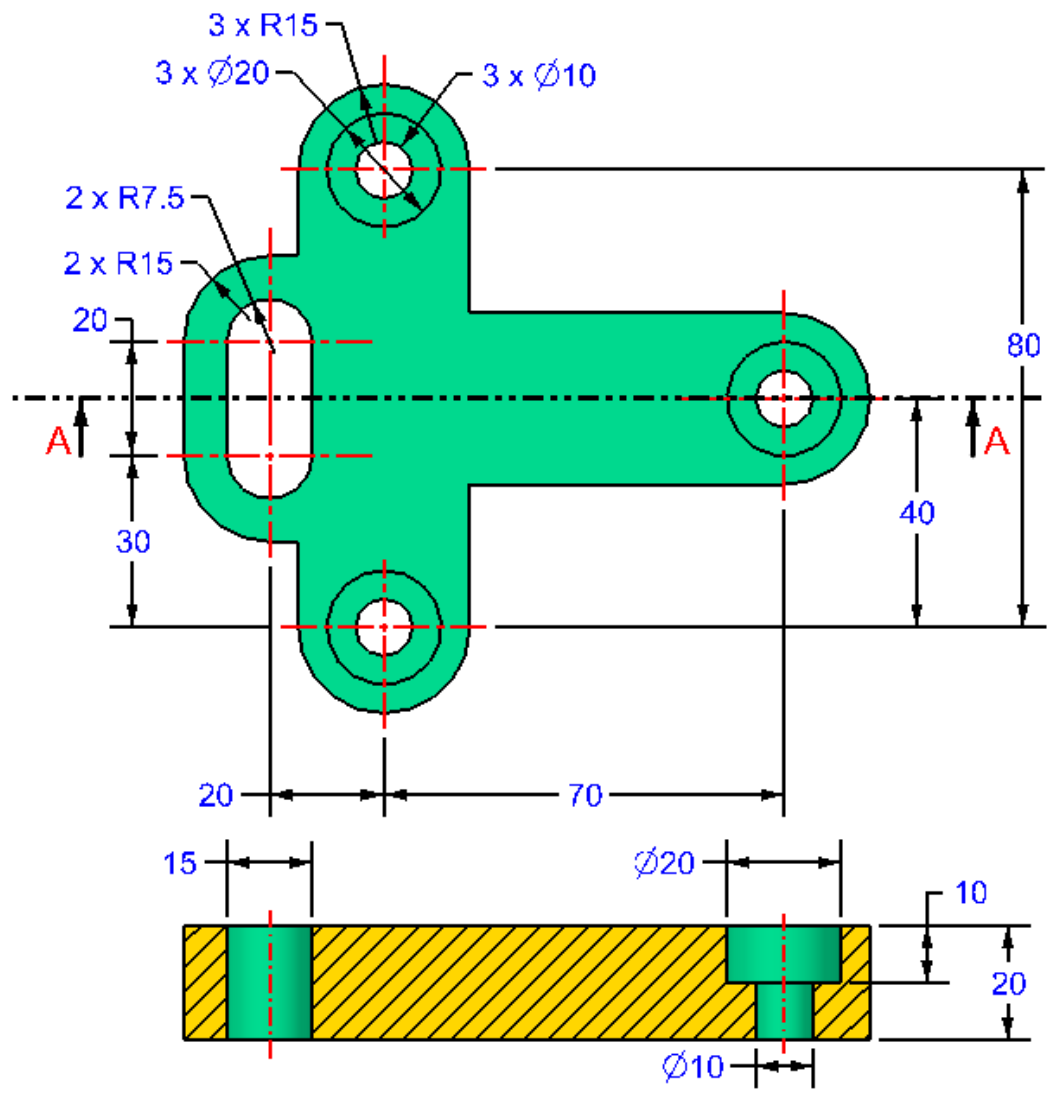
SECTION E-E
(SCALE 1:1)



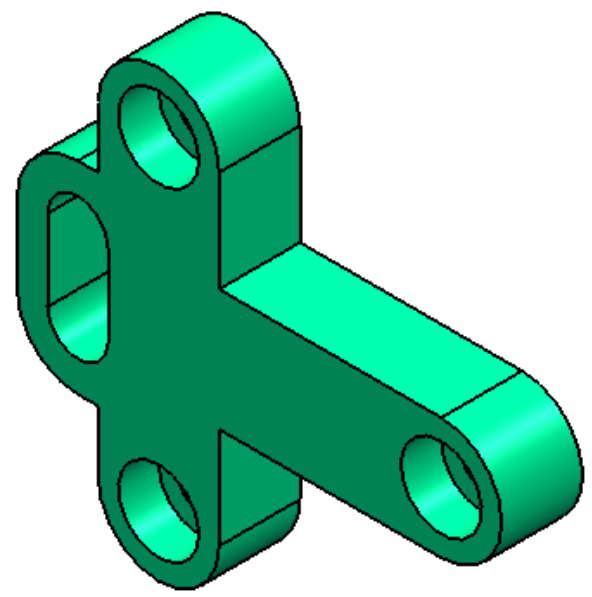


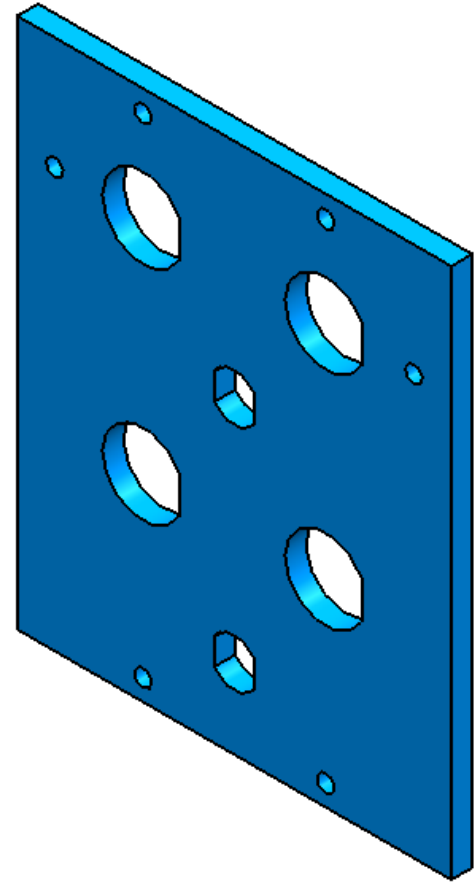
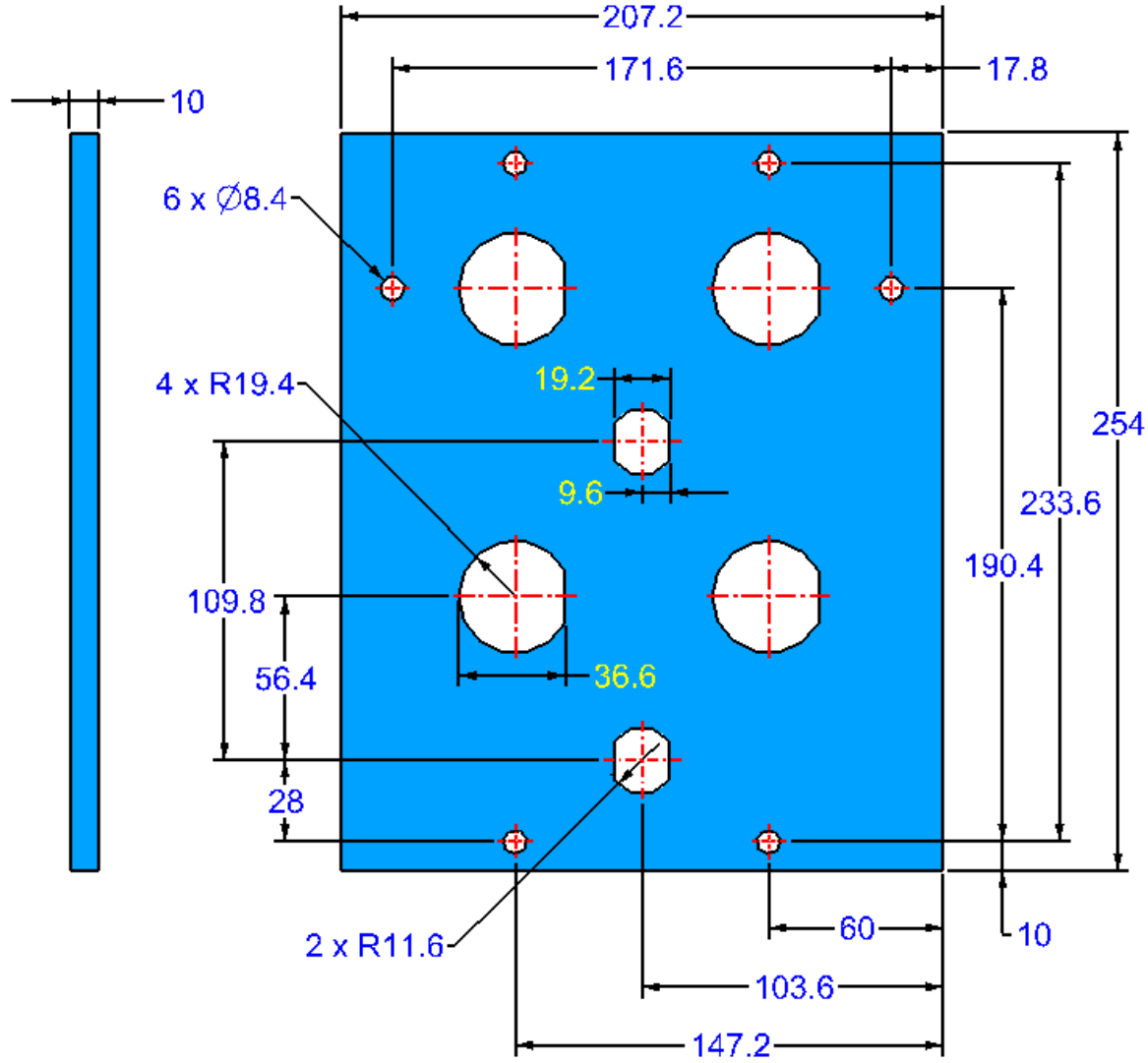


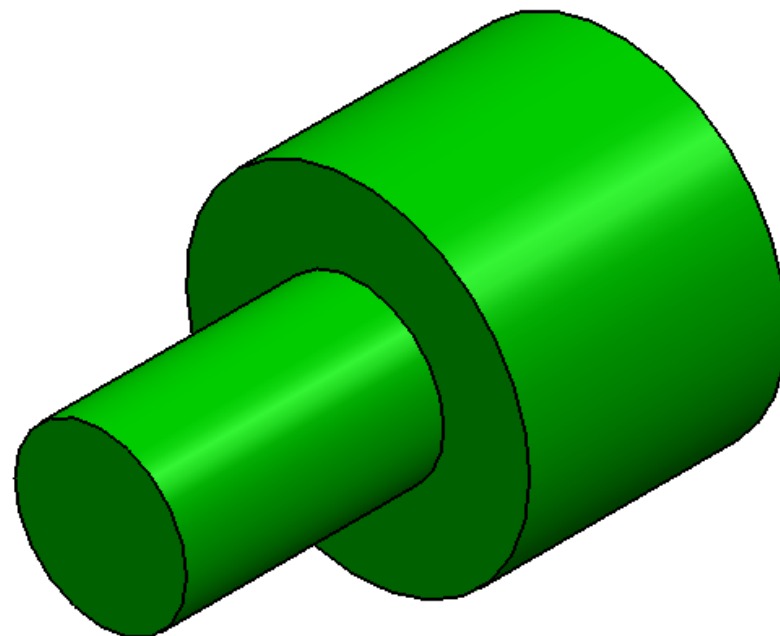
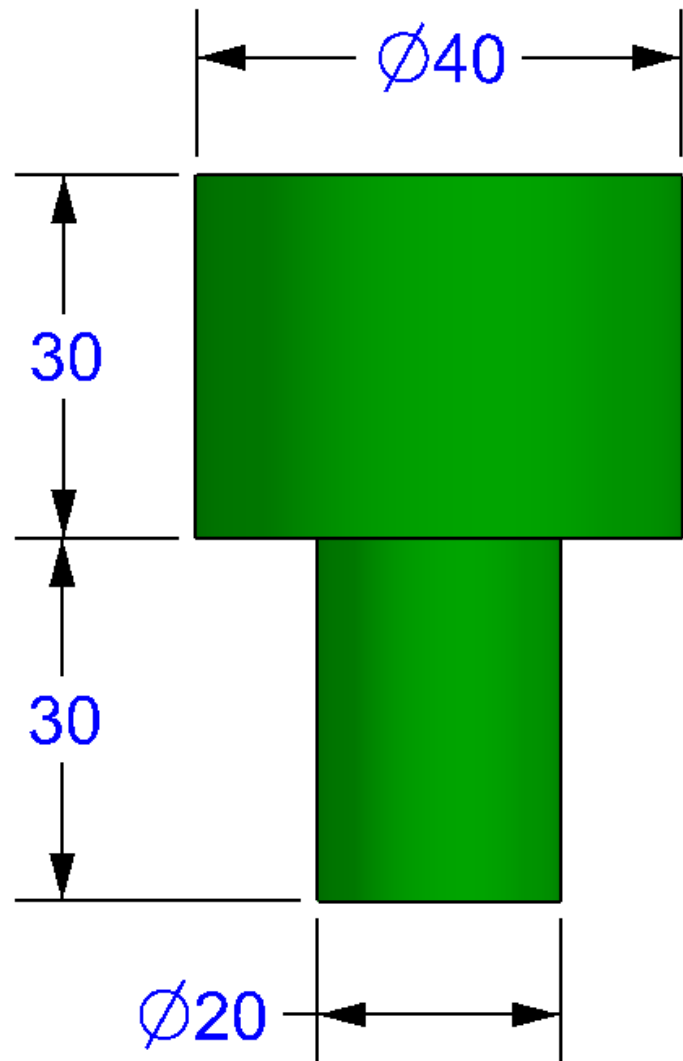
SECTION B-B
(SCALE 1:1)

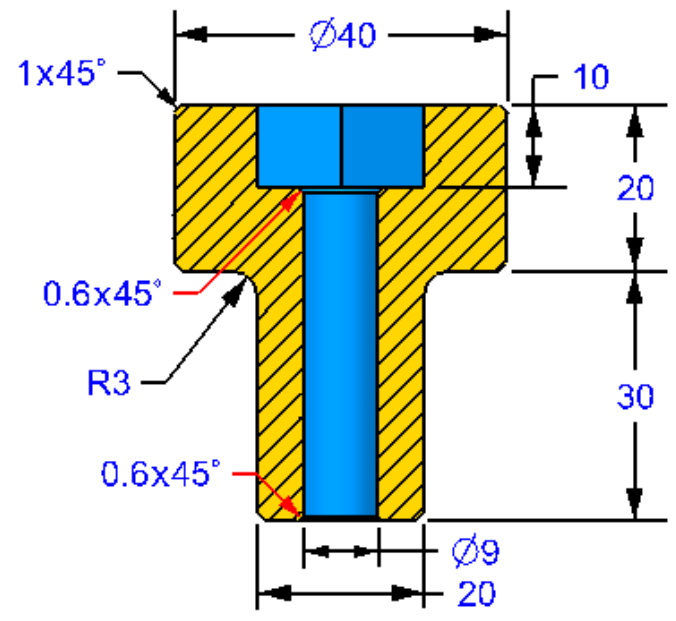
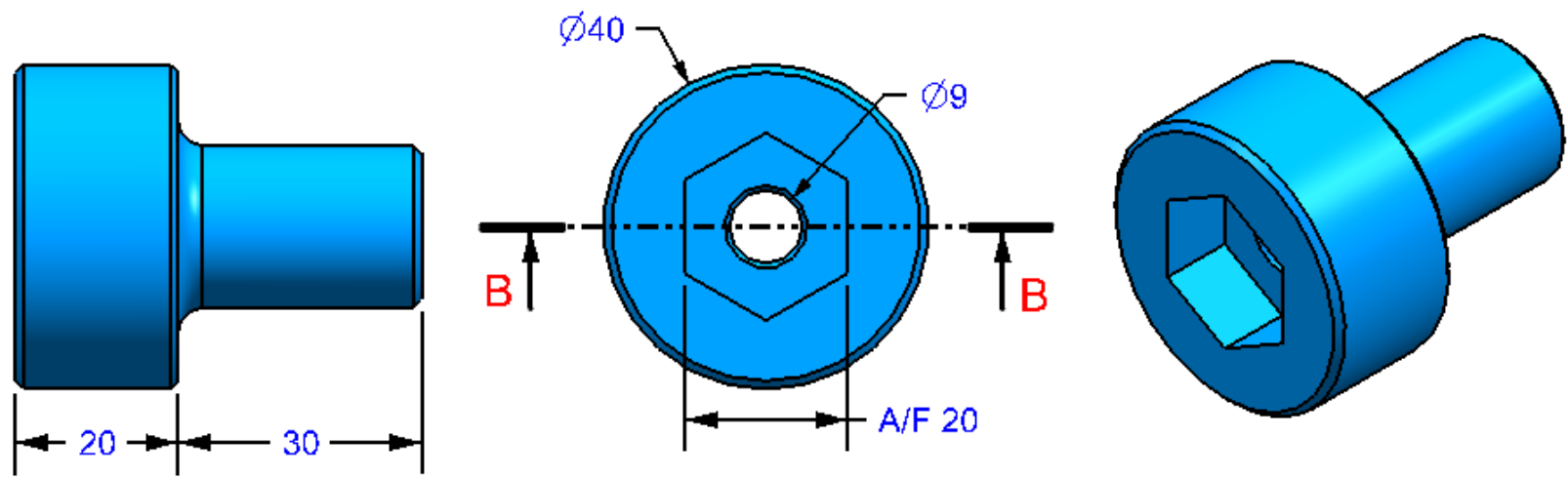


SECTION A-A
(SCALE 1:1)

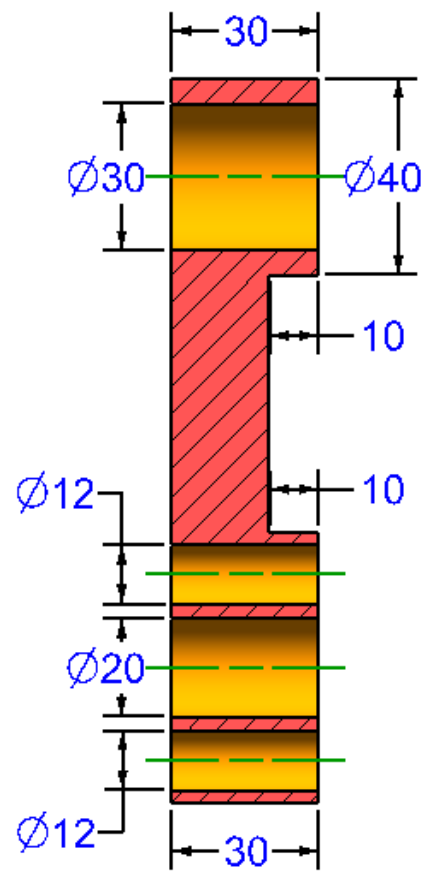




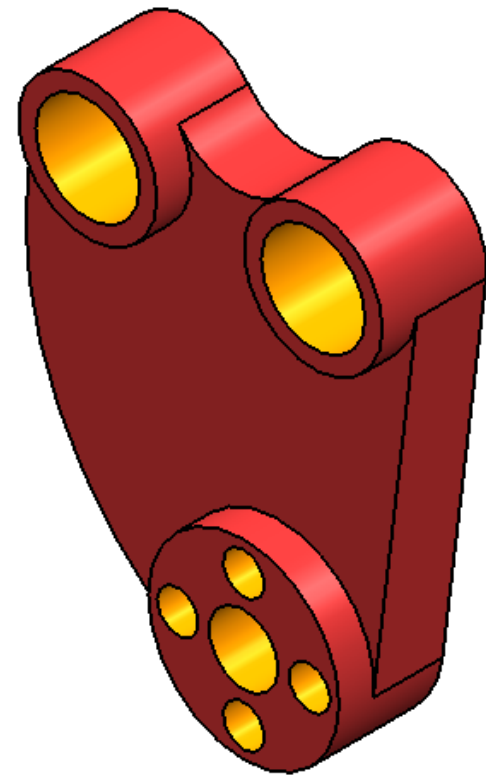
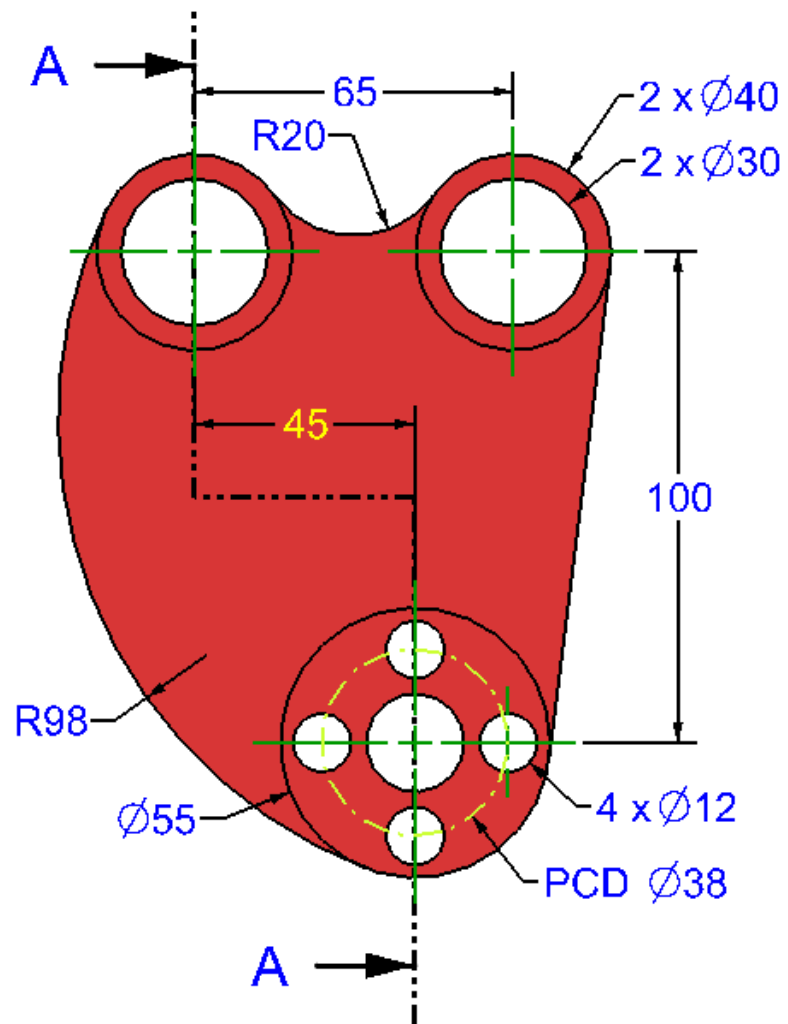


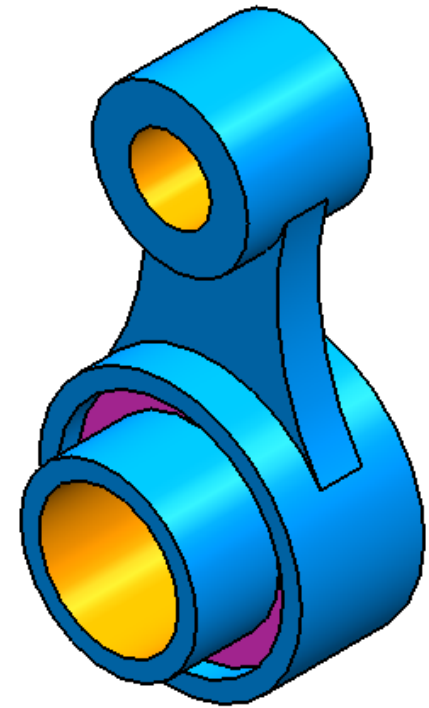
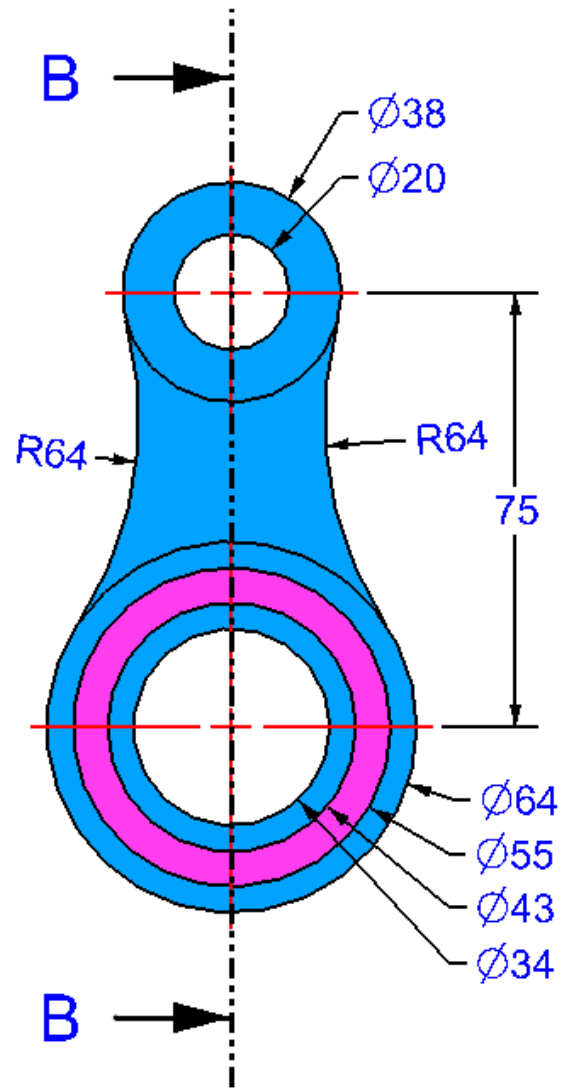
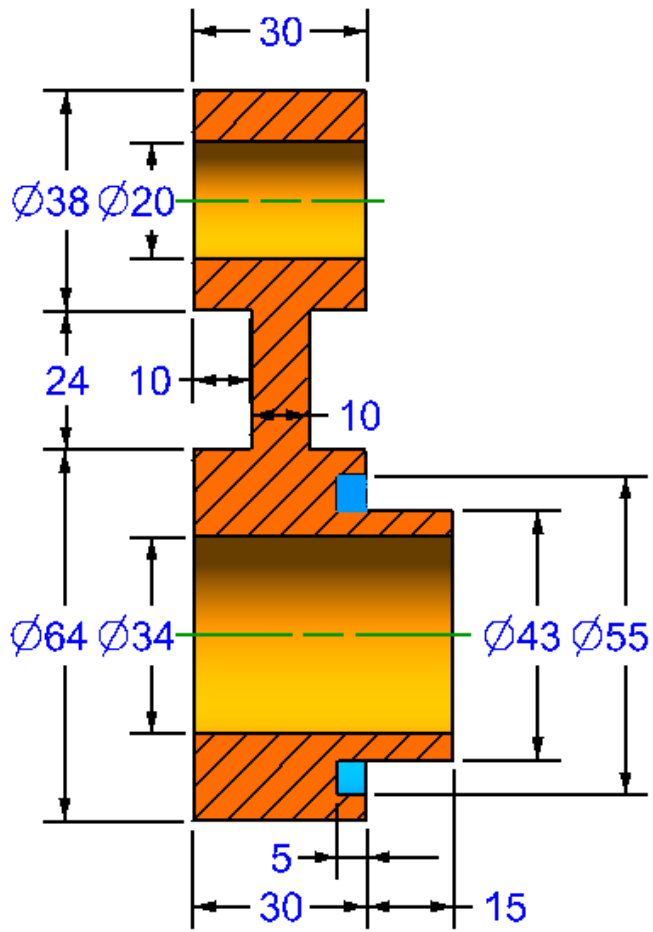


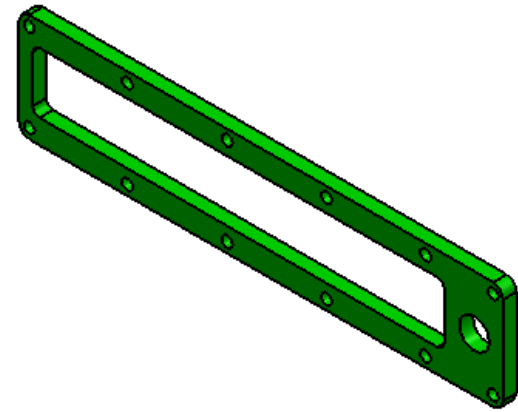
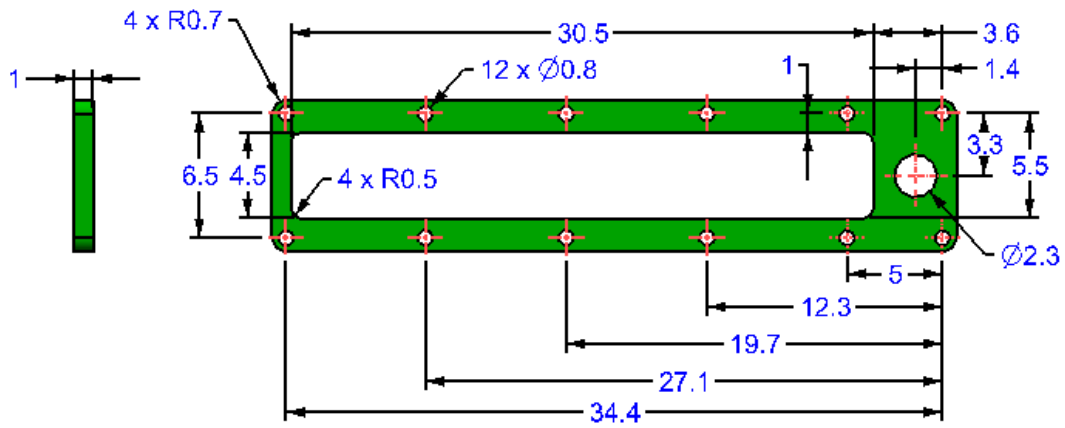
SECTION B-B
(SCALE 1:1)

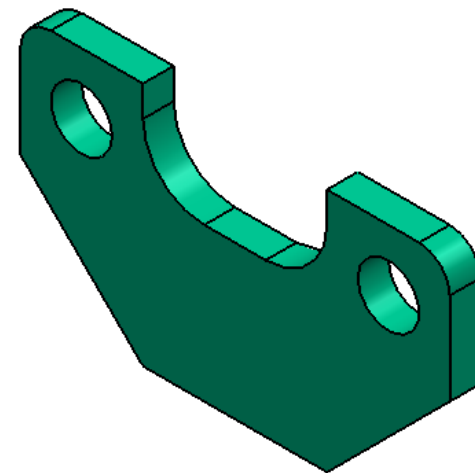
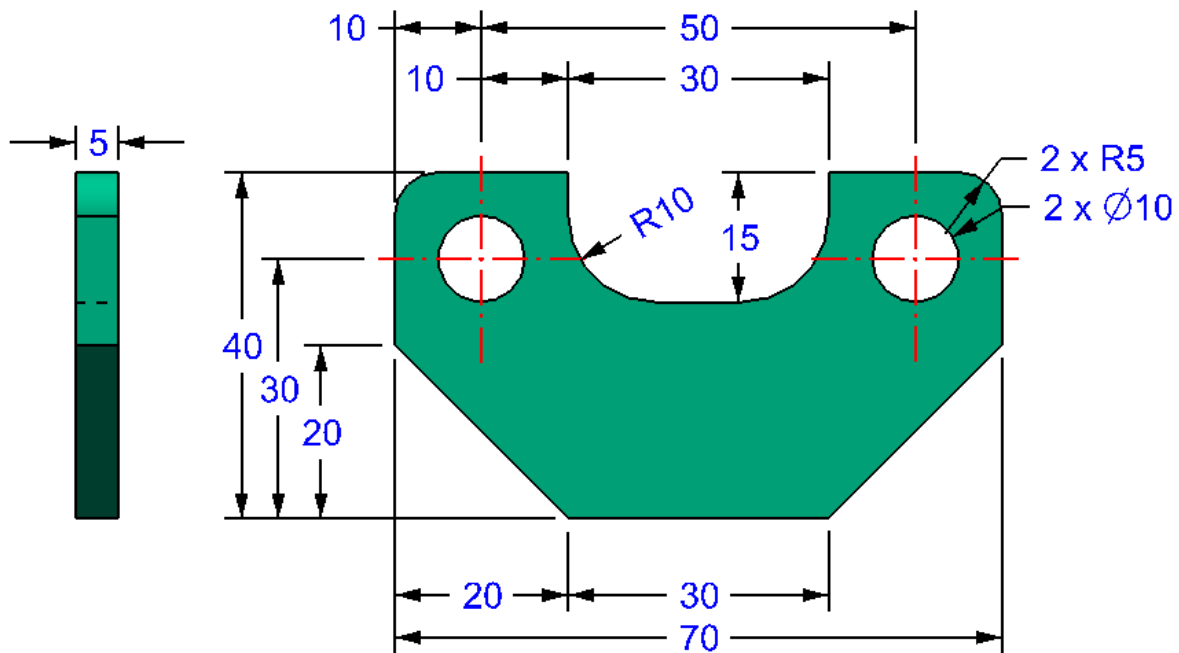


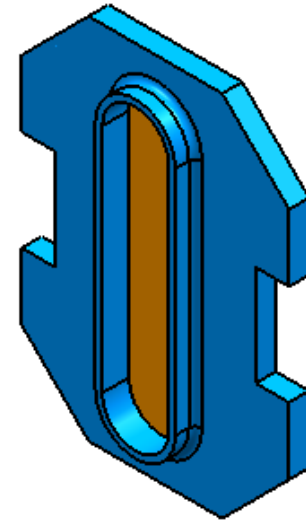
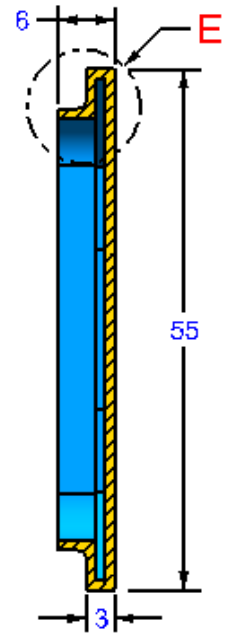
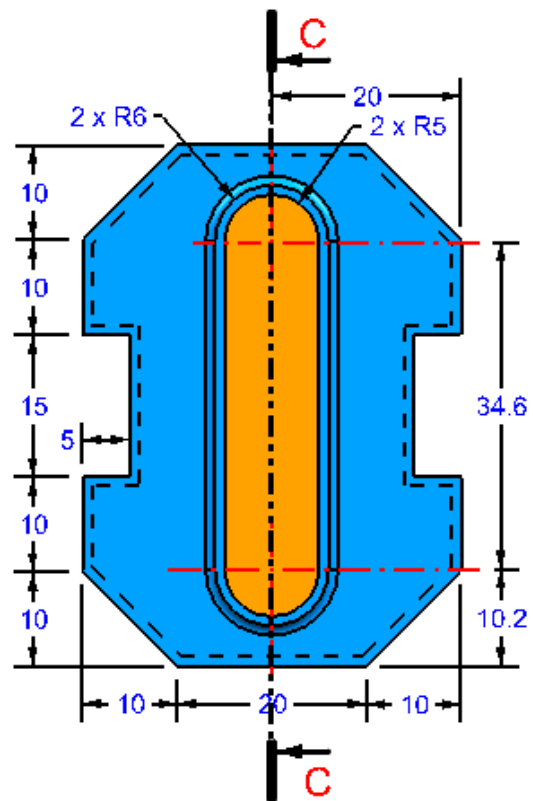
SECTION A-A
(SCALE 1:1)



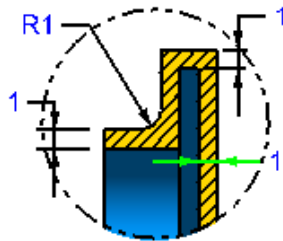




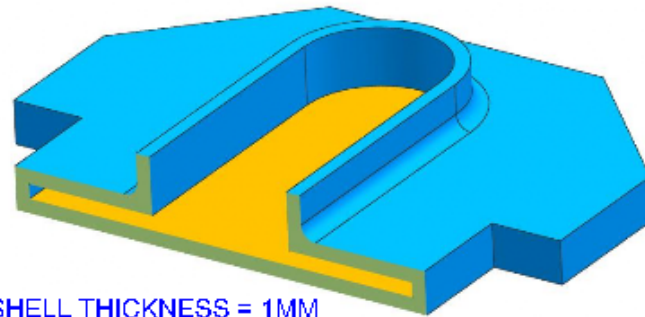




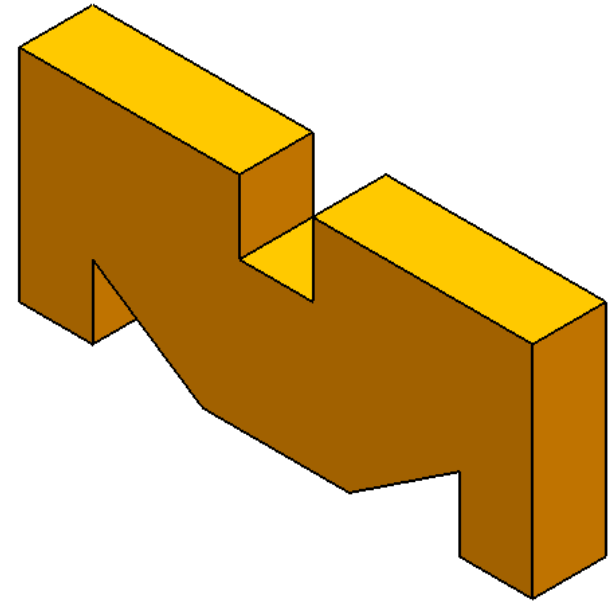
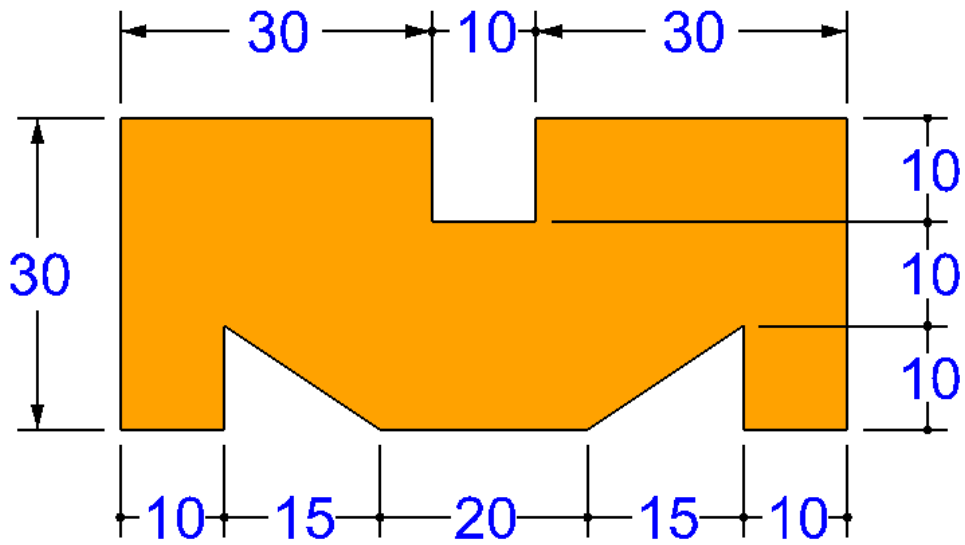
SECTION C-C
(SCALE 1:1)

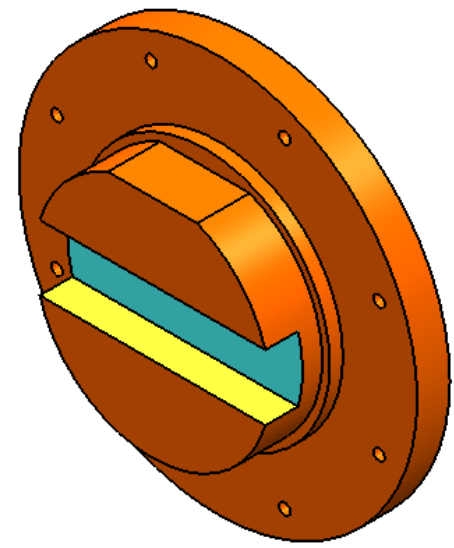
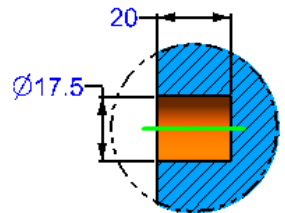
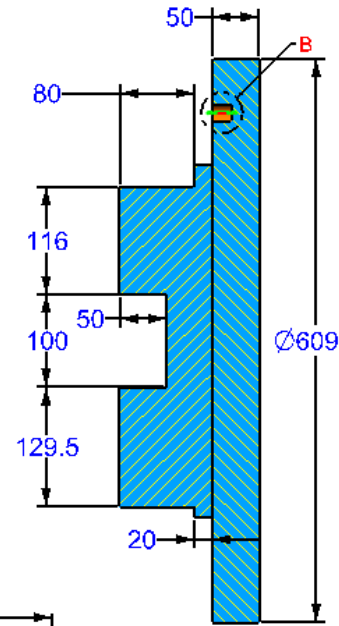
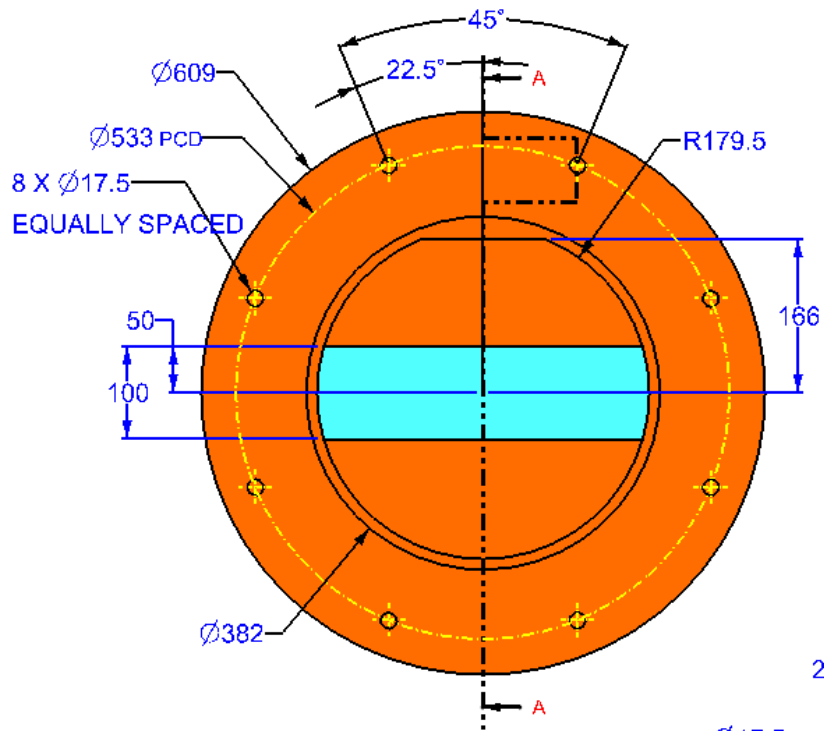


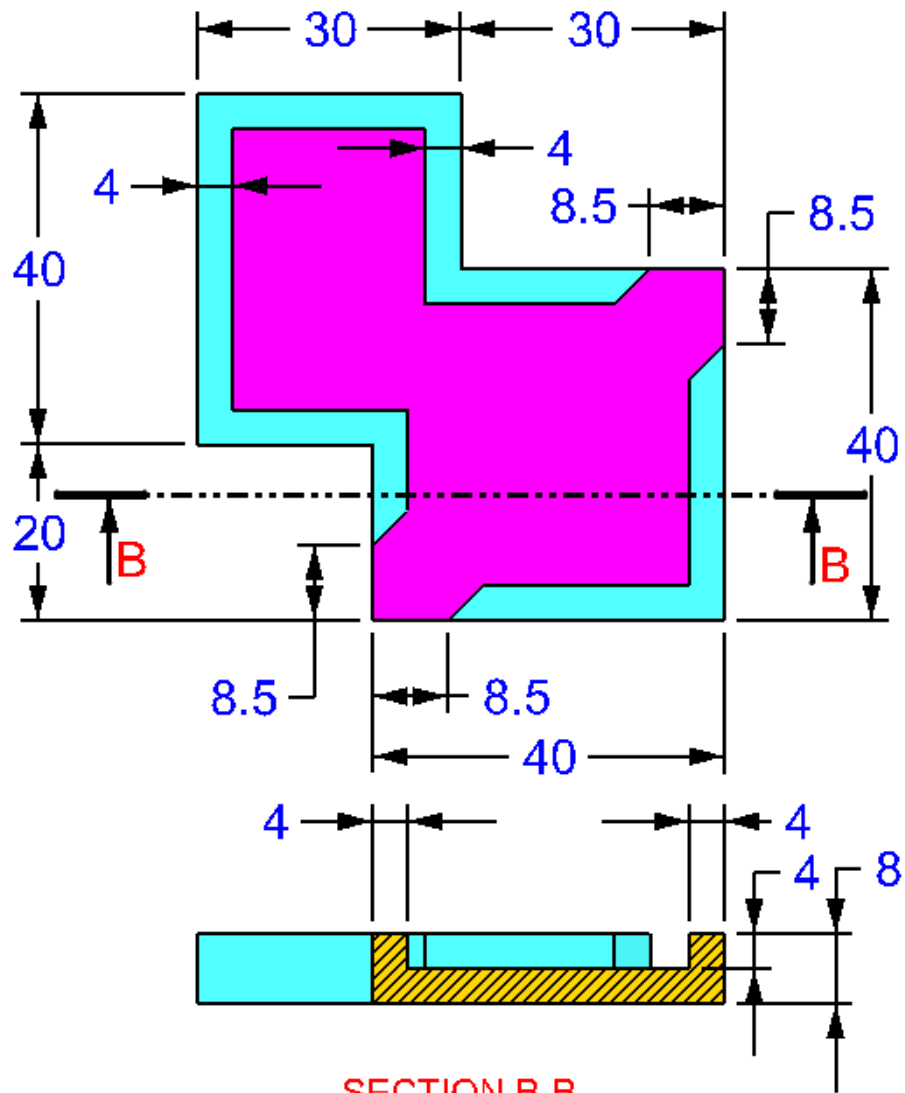
DETAIL E
(SCALE 2:1)



SHELL THICKNESS = 1MM
ALL INSIDE WALL THICKNESS







SECTION B-B
(SCALE 1:1)

